



ROTARY ENCODER
QY1503-SPI

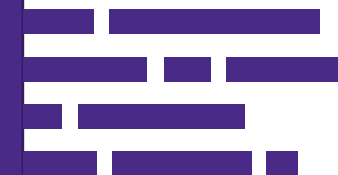
- 01** OUTSIDE: 15(Shaft 3) UNIVERSAL MOUNTING-FITS TO ALMOST ALL STANDARD MOUNTING
- 02** HIGH RELIABILITY AND PERFORMANCE
- 03** WIDE RANGE OF HIGH RESOLUTION MODELS
- 04** SUITABLE FOR GENERAL OR INDUSTRIAL APPLICATIONS

CONNECTION

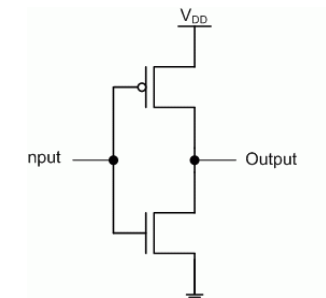
Signal	Pin1	Pin2	Pin3	Pin4	Pin5	Pin6
SPI	Gnd	Vcc	SO	SI	CLK	CS



CIRCUIT OF OUTPUT SIGNAL



CMOS output



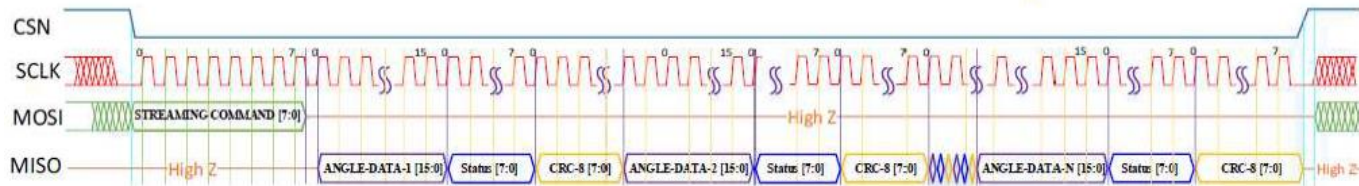
SPECIFICATIONS

ELECTRICAL	Power Supply	DC3.3/5V
	Current Consumption	8mA max
	Output Capacity	4mA max
	Max. Applied Voltage	6V max
	Max. Baud rate Freq.	10 MHz
	Resolution	65536
MECHANICAL	Max. Speed of Shaft	10000 rpm
	Max. Shaft Loading Radial	1N max.
	Max. Shaft Loading Axial	0.5N max.
ENVIRONMENTAL	Operating Temperature	-40 - +80 deg C
	Protection	IP64

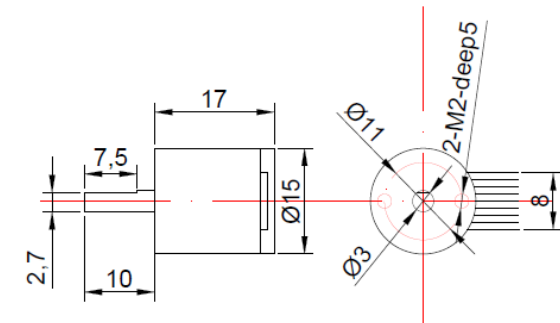
WAVEFORM

The streaming command 0X05 enables the streaming out of angular data on the MISO pin as long as SCLK keeps giving pulses and CSN is asserted low.

- 16-bit Angular data
- 8-bit Status information (diagnostic information)
- CRC-8-SAE J1850 (Covers both angular data and status information)



DIMENSIONS



www.accnt.store