

**ACCNT**  
奥凯特



ROTARY ENCODER  
QY2204-CDZ

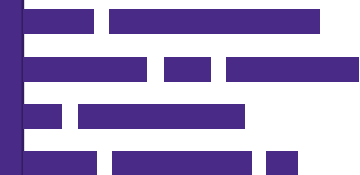
- 01** OUTSIDE: 15(Shaft 3) UNIVERSAL MOUNTING-FITS TO ALMOST ALL STANDARD MOUNTING
- 02** HIGH RELIABILITY AND PERFORMANCE
- 03** WIDE RANGE OF HIGH RESOLUTION MODELS
- 04** SUITABLE FOR GENERAL OR INDUSTRIAL APPLICATIONS

## CONNECTION

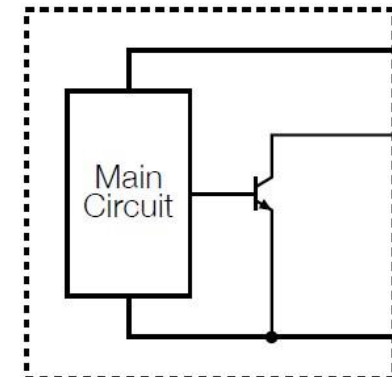
Signal	Pin1	Pin2	Pin3	Pin4	Pin5	Pin6
OC	Gnd	Vcc	A	B	NC	NC



## CIRCUIT OF OUTPUT SIGNAL



Output Open collector

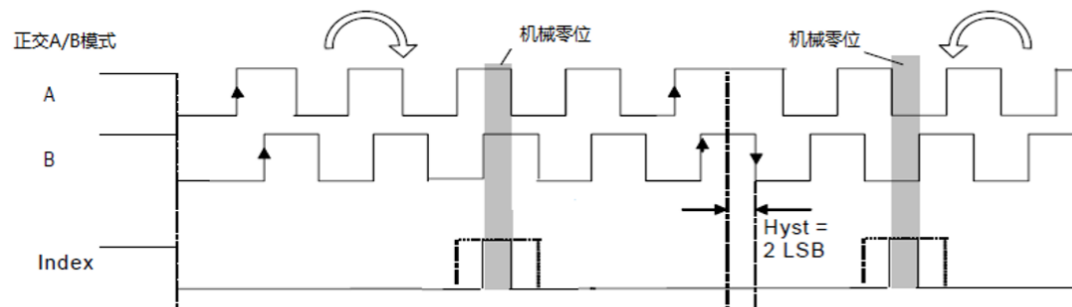


# SPECIFICATIONS

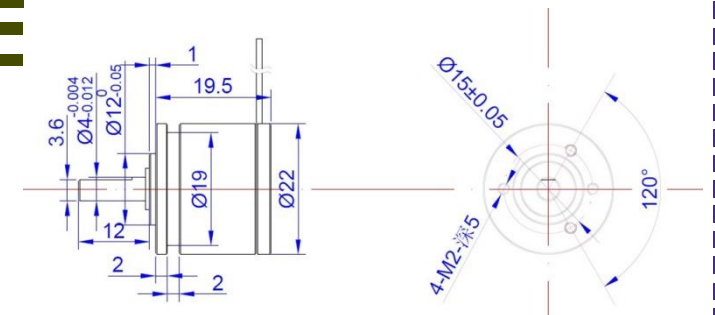
ELECTRICAL	Power Supply	5-24V
	Current Consumption	50mA max
	Output Capacity	30mA max
	Max. Applied Voltage	30V max
	Max. Freq. Response	1 MHz
	Resolution	64/ 256 /512/1024 / 4096
MECHANICAL	Max. Speed of Shaft	10000 rpm
	Max. Shaft Loading Radial	50N max.
	Max. Shaft Loading Axial	10N max.
ENVIRONMENTAL	Operating Temperature	-40 - +80 deg C
	Protection	IP64

## WAVEFORM

*These figures show the waveforms when the shaft is rotated.*



## DIMENSIONS



[www.accnt.store](http://www.accnt.store)