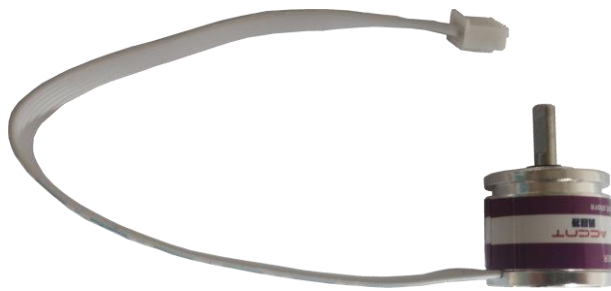


ACCNT  
奥凯特



ROTARY ENCODER

QY2204-IIC

01

OUTSIDE: 15(Shaft 3) UNIVERSAL MOUNTING-FITS TO ALMOST ALL STANDARD MOUNTING

02

HIGH RELIABILITY AND PERFORMANCE

03

WIDE RANGE OF HIGH RESOLUTION MODELS

04

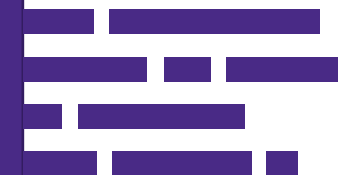
SUITABLE FOR GENERAL OR INDUSTRIAL APPLICATIONS

## CONNECTION

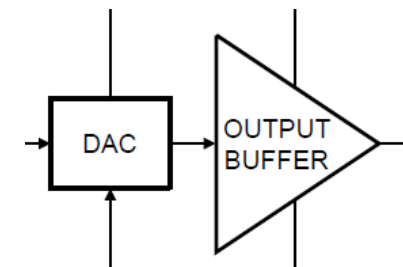
Signal	Pin1	Pin2	Pin3	Pin4	Pin5	Pin6
Analog	Gnd	Vcc	Out	NC	NC	NC



## CIRCUIT OF OUTPUT SIGNAL



Output



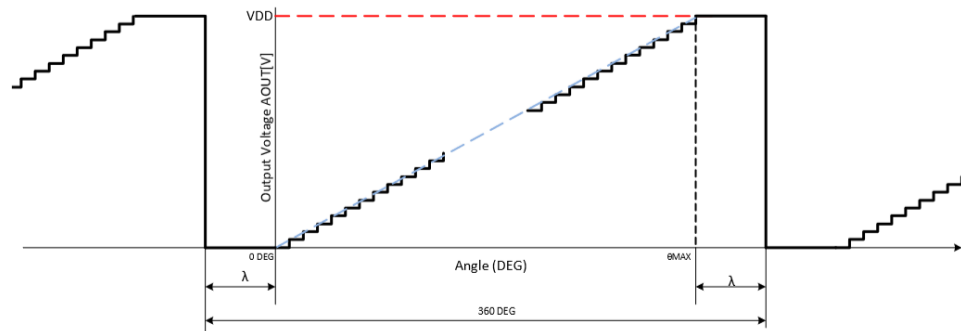
# SPECIFICATIONS

ELECTRICAL	Power Supply	DC3.3/5V
	Current Consumption	8mA max
	Output Capacity	10K ohm load min
	Max. Applied Voltage	6V max
	Max. Freq. Response	Setting time 2mS
	Resolution	4096
MECHANICAL	Max. Speed of Shaft	10000 rpm
	Max. Shaft Loading Radial	50N max.
	Max. Shaft Loading Axial	10N max.
ENVIRONMENTAL	Operating Temperature	-40 - +80 deg C
	Protection	IP64

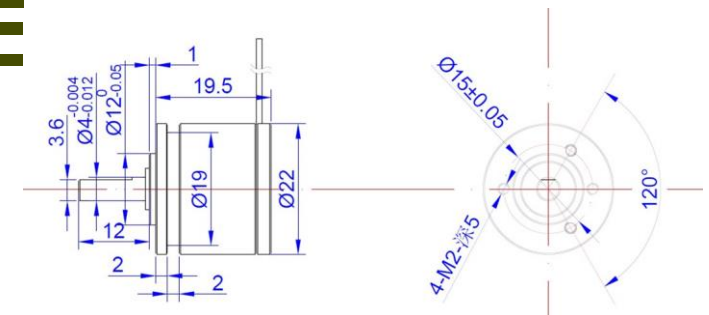
## WAVEFORM

The maximum angular range can be programmed from 18 degrees to 360 degrees. The default range is 360 degrees.

The Digital to Analog Converter (DAC) has 12-bit resolution. In default mode, the lower reference voltage for the DAC is GND, while the upper reference voltage is VDD. The output voltage on the OUT pin is ratiometric between GND and VDD.



## DIMENSIONS



[www.accnt.store](http://www.accnt.store)