

**ACCNT**  
奥凯特



ROTARY ENCODER  
QY3806-485RTU

- 01** OUTSIDE: 38(Shaft 6) UNIVERSAL MOUNTING-FITS TO ALMOST ALL STANDARD MOUNTING
- 02** HIGH RELIABILITY AND PERFORMANCE
- 03** WIDE RANGE OF HIGH RESOLUTION MODELS
- 04** SUITABLE FOR GENERAL OR INDUSTRIAL APPLICATIONS

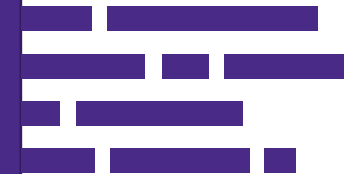
## CONNECTION

Signal	Black	Red	White	Yellow	Green
RS485	Gnd	Vcc	485A	485B	Reset

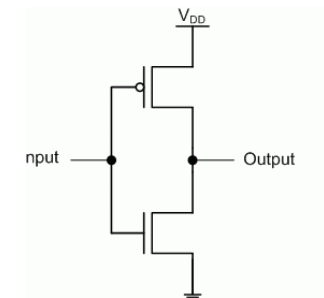
REMAKE:

RESET WIRE NEED CONNECT TO VCC.  
WHEN IT IS CONNECTED TO GND  
MORE THAN 1 SECOND, IT WILL  
RESTORE FACTORY SETTING AFTER  
POWER OFF AND ON.

## CIRCUIT OF OUTPUT SIGNAL



CMOS output



# SPECIFICATIONS

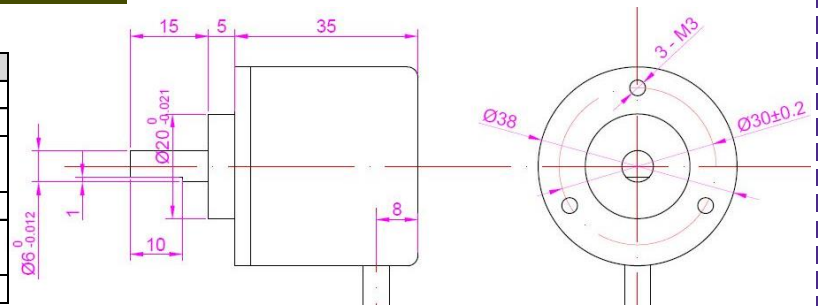
ELECTRICAL	Power Supply	9-24V
	Current Consumption	15mA max
	Output Capacity	4mA max
	Max. Applied Voltage	28V max
	Max. Baud rate Freq.	115200 Hz
	Resolution	65536
MECHANICAL	Max. Speed of Shaft	6000 rpm
	Max. Shaft Loading Radial	30N max.
	Max. Shaft Loading Axial	15N max.
ENVIRONMENTAL	Operating Temperature	-40 - +80 deg C
	Protection	IP64

## Modbus RTU FORMAT

The angular data is only given upon request at 9600-115200 baud rate.

- 16-bit Angular data
- 8-bit data bits ,None parity ,1stop bit.
- Default setting:Slave address 0x1, 9600 baud rate.

## DIMENSIONS



Register Address	Function	Parameter	Function Code	Remark
0x00	Angle info	0-65536	0x03	
0x04	Slave address	1-127	0x03, 0x06	Default: 1
0x05	Baud rate	0, 2, 4	0x03, 0x06	0/2/4: Default 0 9600/38400/115200
0x08	Zero setting	1	0x06	
0x09	Data increase	0, 1	0x03, 0x06	Default: 0 CW/CCW
0xe	Restore factory setting	1	0x06	